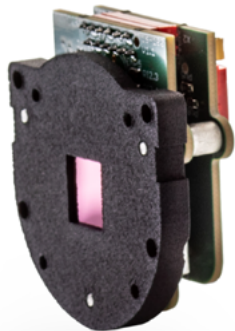


# SENOSENSE DETECT



## HIGHLIGHTS

- ⊙ Communication via Bluetooth or UART
- ⊙ C-API for direct, low-level communication (Bluetooth, UART)
- ⊙ WL range: 1200 to 1700nm
- ⊙ WL points: 16 equidistant
- ⊙ Organic photodiode technology
- ⊙ Non-contact mode measurements possible
- ⊙ Reflection and transmission mode possible
- ⊙ For any substance
- ⊙ Pure detector unit without illumination

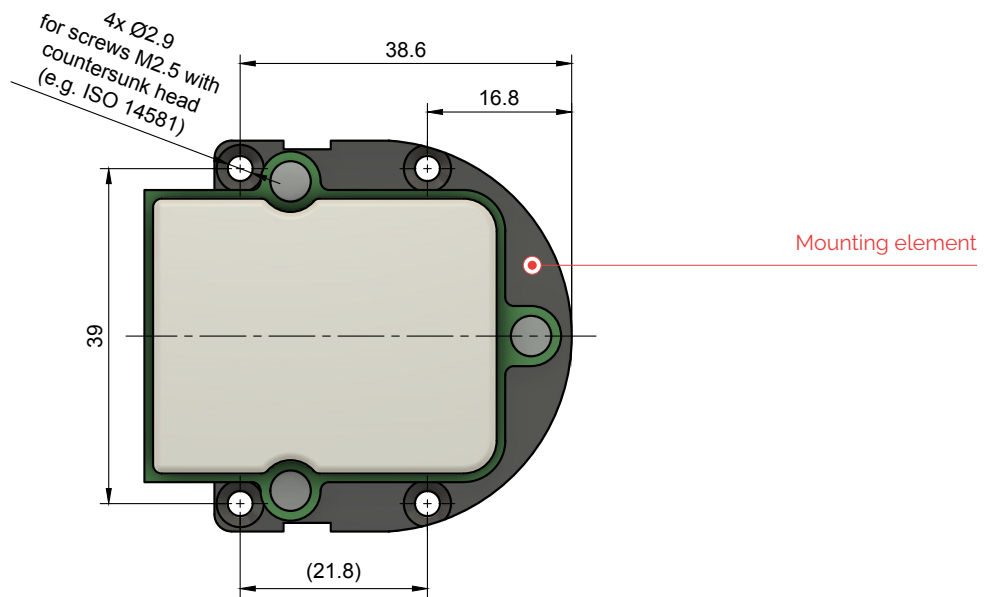
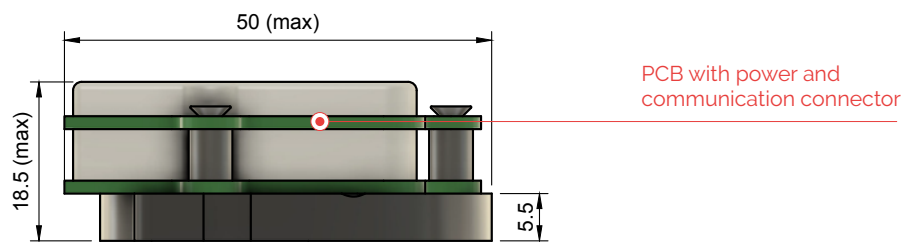
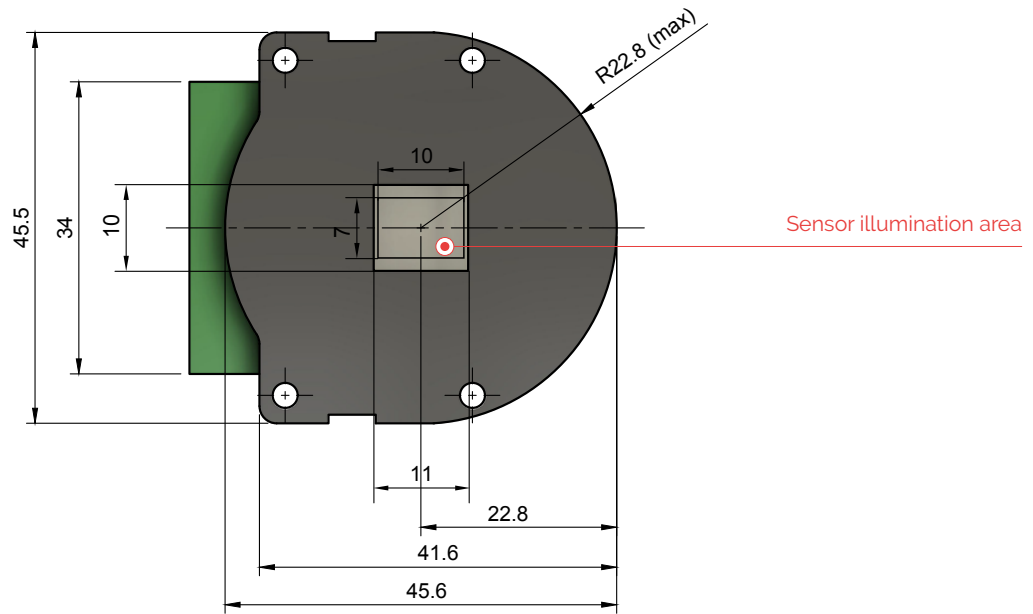
## ABOUT US

We are Senorics, a high-tech spin-off from the University of Technology Dresden (TUD). We are specialized in designing and manufacturing optical spectroscopic sensor solutions for mass market applications. With our technology, material sensing is becoming easy and affordable.

To support you on your journey to implement spectroscopy in your products, we offer a toolbox with hardware components, corresponding software solutions and services.

## CHARACTERISTICS

FEATURE	SPEC
Wavelength (WL) range	1200 – 1700 nm
FWHM	~25 nm
Number of WL channels	16
Measurement time	~5 s
Interface	Bluetooth, UART
Output	16 x 16 bit
Dimensions	50 x 40 x 15 mm
Sensor illumination area	7 x 10 mm
Mounting options	Standard 4 x screws
Supply voltage	5 V DC
Operating conditions	10 – 50 °C
API	C
Operating system	Windows 10 and up



## THE NEXT STEP / GET IN TOUCH

Are you interested to implement this component into your products? Download the 3D STEP files

✉ [contact@senorics.com](mailto:contact@senorics.com)

🌐 [senorics.com](http://senorics.com)

🌐 [linkedin.com/company/senorics](https://www.linkedin.com/company/senorics)

☎ +49 351 850 32 400

📺 [bit.ly/senorics-yt](https://bit.ly/senorics-yt)

📘 [facebook.com/senorics](https://www.facebook.com/senorics)